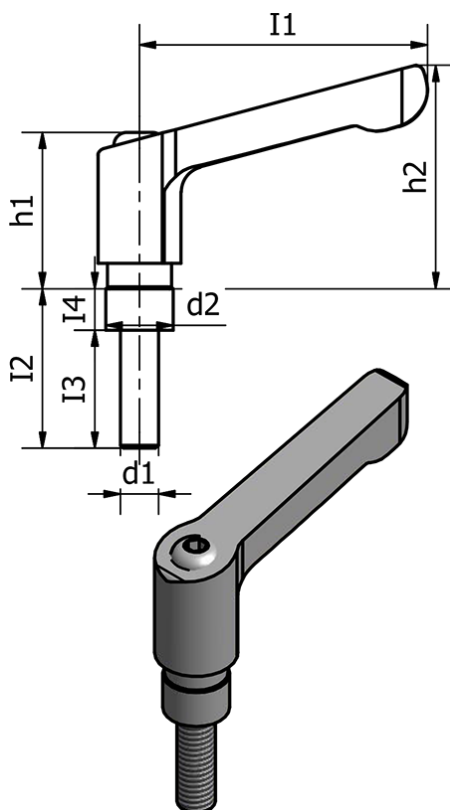


Article number: 20511M632  
Description: E+G Clamping kit  
GN 511-M6-32

## Measures



d1 = 6

d2 = 10.5

h1 = 24.5

h2 = 35

I1 = 45

I2 = 32

I3 = 25.5

I4 = 6.5

Weight (g) = 51